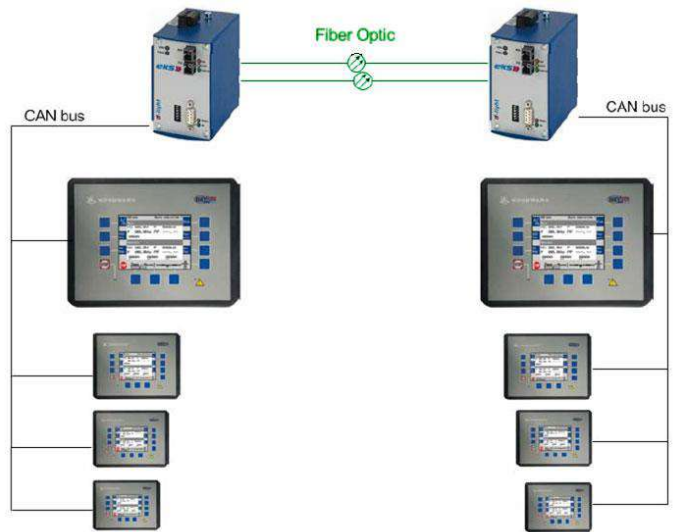
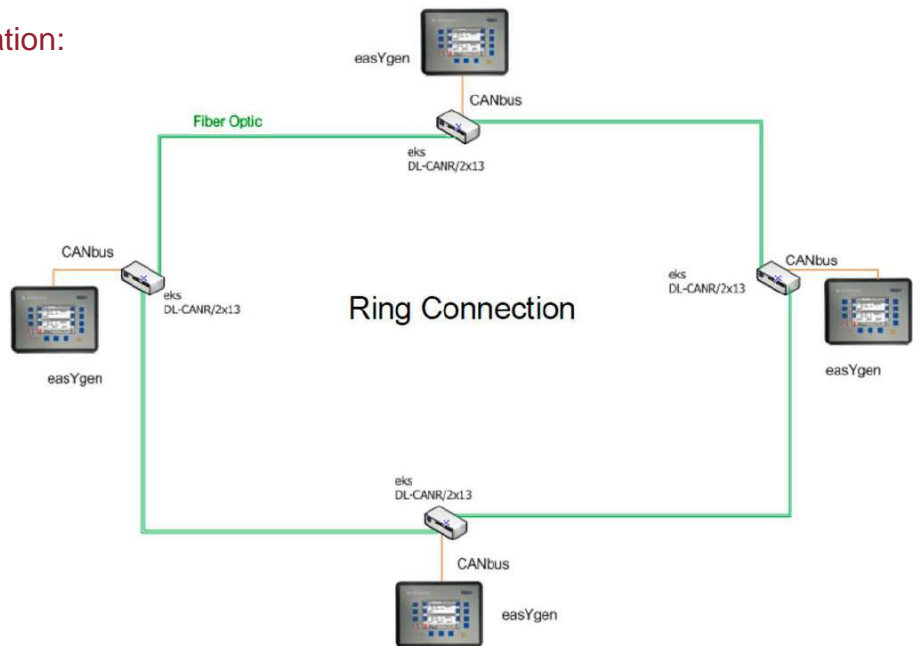


Longer Distance Communication:



Redundant Communication:



easYgen Series

‘CAN goes Fiber’
 CAN – Fiber Optic Converter: eks d-light DL-CAN and DL-CAN-R
 Optional Supplementary Information

General Information

The following alert boxes can be used in this publication:



“Danger” text.
Death or serious injury almost certain. ANSI standard says, “This signal word is to be limited to the most extreme situations.”



“Warning” text.
Death or serious injury possible.

This replaces most “WARNING” boxes in older manuals.



“Caution” text.
Minor or moderate injury possible.

Noise, lifting, chemical exposure, or other non-life-threatening hazards.



“Notice” text.
Possibility of damage to equipment or property.



“Important” text.
Operating tip, maintenance suggestion, or other helpful information requiring special attention (but not involving death, injury, or property damage).

Personnel



WARNING!
Hazards due to insufficiently qualified personnel!

If unqualified personnel perform work on or with the control unit hazards may arise which can cause serious injury and substantial damage to property.

- Therefore, all work must only be carried out by appropriately qualified personnel.

For further Product Support Options, Product Service Options, Returning Equipment for Repair, and/or Engineering Services please [download application note #37573](#).

Requirements

This application note describes CAN – Fiber Optic Converter modules, designed and manufactured by eks Engel GmbH & Co, KG (<http://www.eks-engel.de/en/home/>).

Use the following item numbers to place your order with Woodward.

1. 8445-1048 DL-CAN-R CAN – Fiber Optic System (Redundant)
2. 8445-1049 DL-CAN CAN – Fiber Optic System

Documentation



Read this entire application note and all other publications pertaining to the work to be performed before installing, operating, or servicing this equipment. Practice all plant and safety instructions and precautions.

Failure to follow instructions can cause personal injury and/or property damage!

Any unauthorized modifications to or use of this equipment outside its specified mechanical, electrical, or other operating limits may cause personal injury and/or property damage, including damage to the equipment.

Any such unauthorized modifications: constitute "misuse" and/or "negligence" within the meaning of the product warranty thereby excluding warranty coverage for any resulting damage, and invalidate product certifications or listings.



This publication may have been revised or updated since this copy was produced. If the cover of the publication states "Translation of the Original Instructions", the original source may have been updated since this translation was made.

Be sure to check manual 26311, *Revision Status & Distribution Restrictions of Woodward Technical Publications*, to verify whether this translation is up to date. Always compare with the original for technical specifications and for proper and safe installation and operation procedures. To verify that you have the latest revision, check manual 26311, *Revision Status & Distribution Restrictions of Woodward Technical Publications*, on the publications page of the Woodward website:

www.woodward.com/publications

The latest version of most publications is available on the publications page. If your publication is not there, please contact your customer service representative to get the latest copy.

Introduction

DL-CAN is normally used to increase the CAN bus length if controls are located at longer distances. For example, sometimes generator switchgear panel can be located away from the utility switchgear panel. In this case, one DL-CAN in each of the generator panel and utility panel is all that is required for seamless communication between easYgens and LS-5s.

Should your application need a redundant communication among easYgens and LS-5s use DL-CAN-R instead. The solutions described in the Application Note work with communication distances up to 5 km.

Two topologies are supported: ring and star. For most of the applications a ring topology is sufficient (and so described in this Application Note). However, if you wish to connect your controls in a star topology a central communication management channel (FIMP Splicebox from eks) is additionally needed.

Want MORE?

It is possible to have ...

- Communication distances of up to 100 km
- Single mode fiber gateways with SC/ST connectors
- Star topology supported by FIMP splice box

Please contact your Woodward representative

Contents

Redundant Communication:	1
Longer Distance Communication:	1
easYgen Series	1
‘CAN goes Fiber’ CAN – Fiber Optic Converter: eks d-light DL-CAN and DL-CAN-R	1
Optional Supplementary Information	1
General Information	2
Personnel	2
Requirements	3
Documentation	3
Introduction	4
DL-CAN	5
Setup DL-CAN	5
Connect DL-CAN	6
Configure DL-CAN	7
Startup System	8
DL-CAN-R	9
Setup DL-CAN-R (example for redundant ring connection)	9

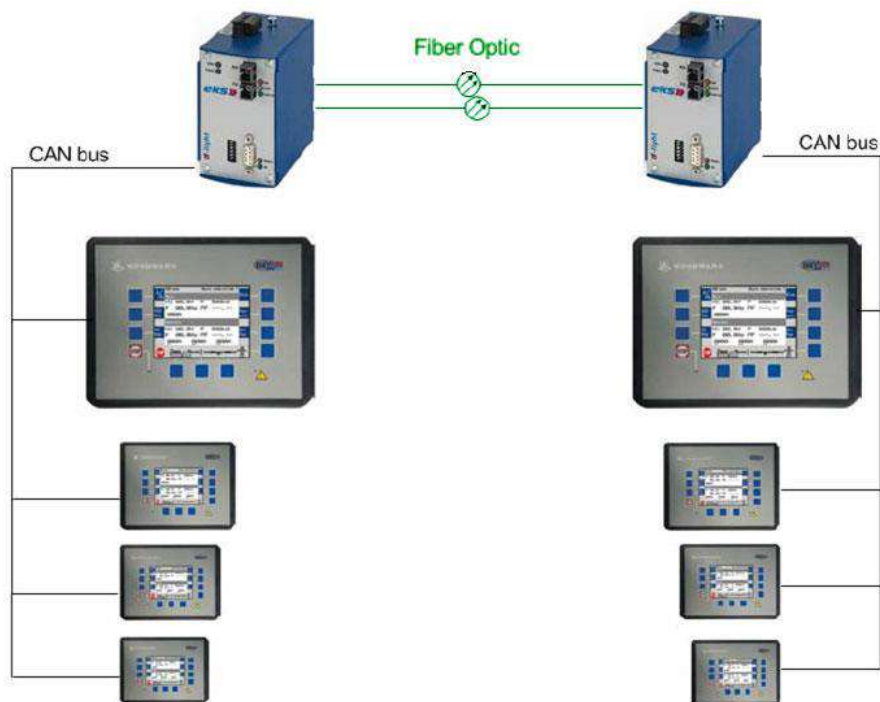
DL-CAN

Setup DL-CAN

The *DL-CAN CANbus to Fiber Optic converter* by eks allows the easYgen-2000/3000 series controllers and the LS-5 series controllers to communicate over much greater distances with the reliability of Fiber Optics. One DL-CAN converter is required on each end of the fiber (for standard end-to-end connection).

For distances (up to 5 km) multimode fiber provides the right cost to performance ratio.

The DL-CAN provides fast refresh of data so the Woodward devices are unaware of the CANbus to fiber optic conversion.



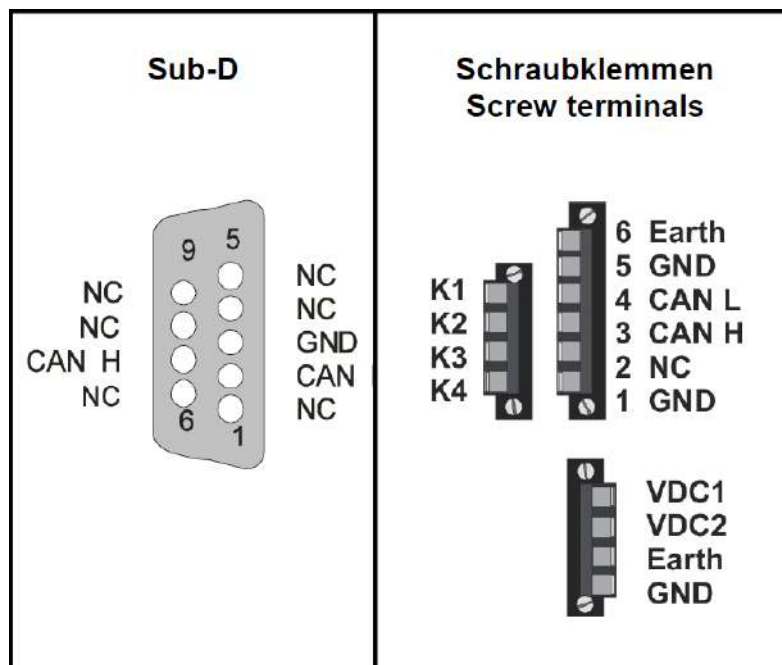
Connect DL-CAN

1. Connect a power supply of 24 V_{DC} to terminals marked with V_{DC1}, V_{DC2} and GND.

NOTICE

V_{DC1} and V_{DC2} are redundant power inputs with reverse voltage protection

2. Connect optical fiber to the Rx and Tx terminals between the DL-CAN units. Make sure to connect Rx to Tx and Tx to Rx (send/receive topology).
3. Connect CAN H and CAN L to either the Sub-D9 pin connector or to the screw terminals as depicted below:



Configure DL-CAN

Configuration of the DL-CAN converter is simple and requires no software tool. The configuration is done with 6 DIP switches as described below. No additional setup is required in the easYgen or LS-5 to incorporate the DL-CAN converter.

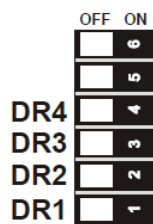
Set DIP-Switches per application

1. DIP-Switch 1-4 defines the CANbus baud rate (easYgen default is 250 kBd)
2. DIP-Switch 5 must be in position "ON"
3. DIP-Switch 6 enables the termination of CAN ($R_w = 120 \text{ Ohm}$)

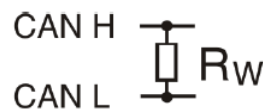
NOTICE

Please power off (reset) the DL-CAN after each DIP-Switch change

Abschlusswiderstand und Datenrateneinstellung Termination and setting the data rate



Datenrate	DR 1	DR 2	DR 3	DR 4
1000KBaud	0	0	0	0
800KBaud	1	0	0	0
500KBaud	0	1	0	0
250KBaud	1	1	0	0
125KBaud	0	0	1	0
100KBaud	1	0	1	0
50KBaud	0	1	1	0
22,2KBaud	1	1	1	0
20KBaud	0	0	0	1
10KBaud	1	0	0	1



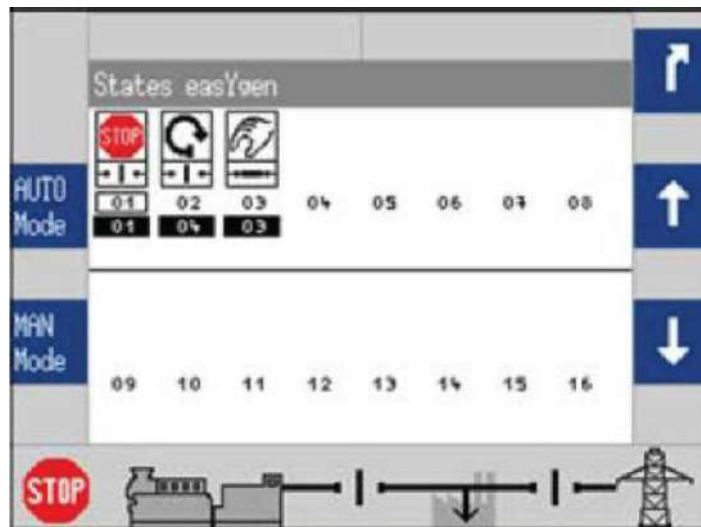
DIP-Schalter 5 (F1):
ON: Default
OFF: NICHT MÖGLICH

DIP-Switch 5 (F1):
ON: Default
OFF: NOT POSSIBLE

Startup System

After power is applied to the easYgens(/LS-5s) and EKS Converter(s), communication should be automatically established between the units.

Verification of communication can be done by review the easYgen "States". All easYgens communicating will be visible on the "States" page (HMI).



DL-CAN-R

Setup DL-CAN-R (example for redundant ring connection)

Configuration of the DL-CAN-R converter is simple and requires no software tool. The configuration is done with 6 DIP-Switches as described below. No additional setup is required in the easYgens or LS-5s to incorporate the DL-CAN-R converter.

Set DIP-Switches per application

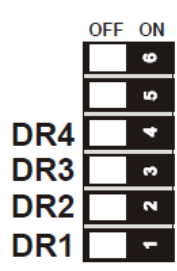
1. DIP-Switch 1-4 defines the CANbus baud rate (easYgen default is 250 kBd)
2. DIP-Switch 5 ON: Two DL-CAN-R in the ring;
OFF: more than two DL-CAN-R in the ring
3. DIP-Switch 6 enables the termination of CAN ($R_W = 120 \text{ Ohm}$)

NOTICE

Please power off (reset) the DL-CAN-R after each DIP-Switch change

Abschlusswiderstand und Datenrateneinstellung
Termination and setting the data rate


OFF ON




DR4
DR3
DR2
DR1

Datenrate	DR 1	DR 2	DR 3	DR 4
1000KBaud	0	0	0	0
800KBaud	1	0	0	0
500KBaud	0	1	0	0
250KBaud	1	1	0	0
125KBaud	0	0	1	0
100KBaud	1	0	1	0
50KBaud	0	1	1	0
22,2KBaud	1	1	1	0
20KBaud	0	0	0	1
10KBaud	1	0	0	1

OFF ON



R_W

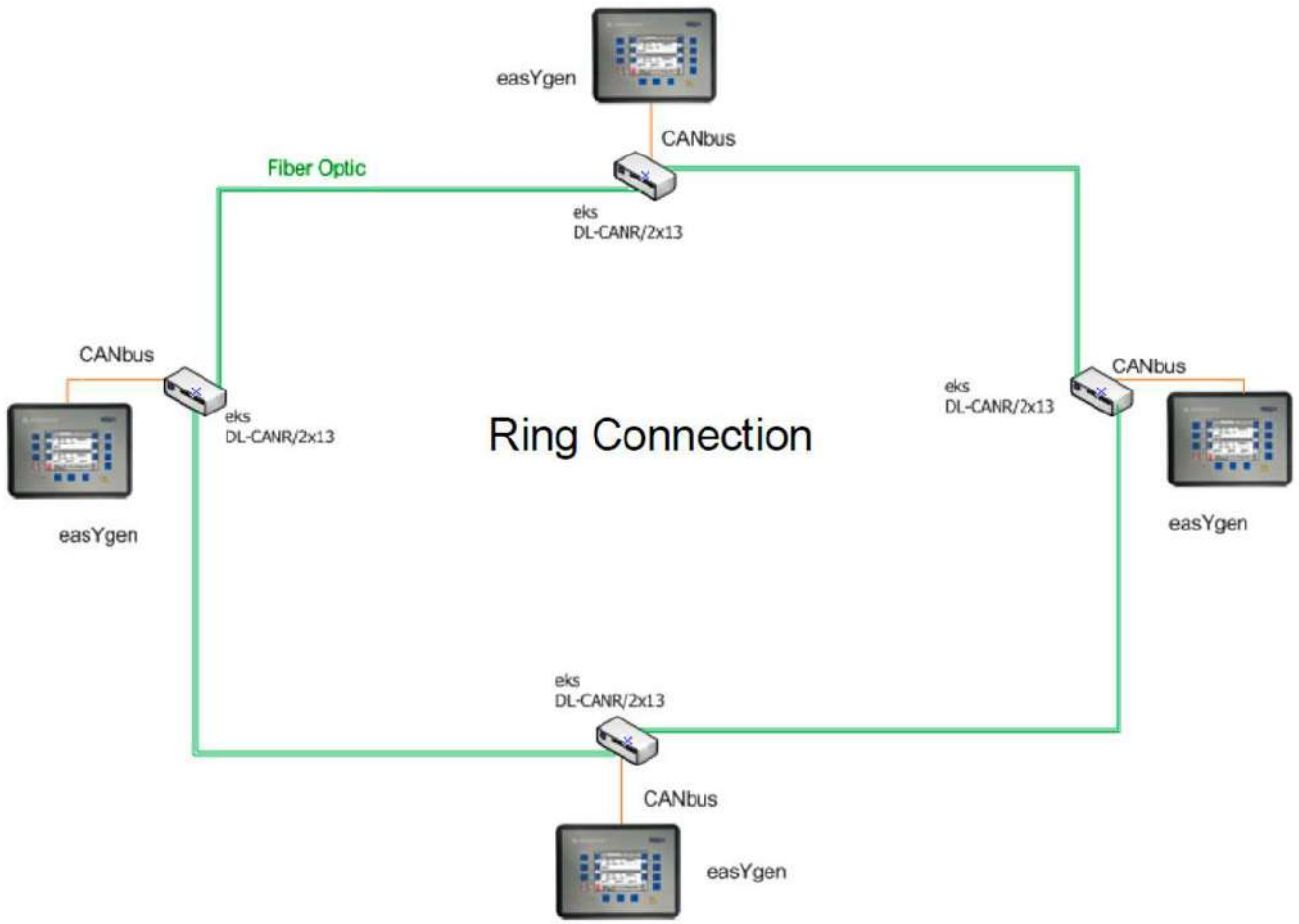
CAN H 

CAN L

	OFF	ON
F1	<input type="checkbox"/>	<input checked="" type="checkbox"/>
	<input type="checkbox"/>	<input checked="" type="checkbox"/>
	<input type="checkbox"/>	<input checked="" type="checkbox"/>
	<input type="checkbox"/>	<input checked="" type="checkbox"/>
	<input type="checkbox"/>	<input checked="" type="checkbox"/>
	<input type="checkbox"/>	<input checked="" type="checkbox"/>

DIP-Schalter 5 (F1):
ON: Zwei DL-CANR im Ring
OFF: mehr als zwei DL-CANR im redundanten Ring

DIP-Switch 5 (F1):
ON: Two DL-CANR in the ring
OFF: more than two DL-CANR in the redundant ring



We appreciate your comments about the content of our publications.

Please send comments to: stgt-doc@woodward.com

Please reference publication 37598.

Homepage
www.woodward.com

**Woodward has company-owned plants, subsidiaries, and branches,
as well as authorized distributors and other authorized service and sales facilities throughout the world.
Complete address / phone / fax / email information for all locations is available on our website.**

THE INFORMATION CONTAINED IN THIS APPLICATION NOTE IS PROVIDED AS IS WITHOUT REPRESENTATIONS OR WARRANTIES OF ANY KIND EXPRESSED OR IMPLIED. THE ADHERENCE TO THE INFORMATION CONTAINED IN THIS APPLICATION NOTE SHALL BE AT THE USER'S OWN RISK. WOODWARD EXPRESSLY DISCLAIMS ANY REPRESENTATIONS OR WARRANTIES CONCERNING WHETHER THE DELIVERABLES, OR SOFTWARE WILL PRODUCE ANY SPECIFIC RESULT OR PERFORM ANY PARTICULAR FUNCTION. WOODWARD FURTHER EXPRESSLY DISCLAIMS ANY LIABILITY FOR DAMAGES, LOSSES, COSTS OR EXPENSES ARISING DIRECTLY OR INDIRECTLY FROM THE USE OF THIS APPLICATION NOTE, UNLESS WOODWARD HAS PROVABLY ACTED WITH WILLFUL MISCONDUCT OR GROSS NEGLIGENCE.

WOODWARD RESERVES THE RIGHT TO UPDATE ANY PORTION OF THIS PUBLICATION AT ANY TIME. INFORMATION PROVIDED BY WOODWARD IS BELIEVED TO BE CORRECT AND RELIABLE. HOWEVER, NO RESPONSIBILITY IS ASSUMED BY WOODWARD UNLESS OTHERWISE EXPRESSLY UNDERTAKEN.